

Vehicle Digital Video Recorder



The BusSecure is a rugged and compact digital video recorder with a removable image storage system.

BusSecure is a mobile video recorder designed for 12 VDC vehicles (school buses, armored and law enforcement vehicles). BusSecure can record and store video inputs from 1 to 4 cameras which are mounted inside or outside the vehicle. The rugged and economical digital recording system provides a fast record rate, vibration protection, and synchronized audio recording. Recorded images can be viewed in the field with a laptop or from your desktop PC.

BusSecure offers a digital video processor with 80/160 GB of removable storage.

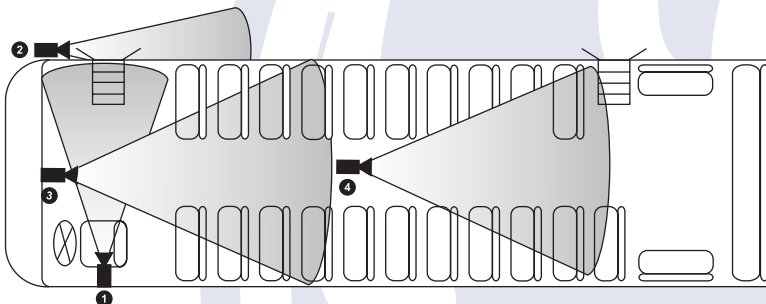
To assure maximum system flexibility, images can be captured at a rate of 1 to 30 images per second. In addition, cameras can be programmed to capture images at different rates. With four cameras connected, the BusSecure can store anywhere from 22 hours to several months of images. The system's storage capacity is determined by hard disk size, image capture speed, camera type (color or monochrome), and image resolution settings.

Features

- Removable hard drive
- Lightweight and compact with mounting brackets included
- Four NTSC/PAL camera inputs
- Multiple resolution settings
- Capture up to 30 pictures/sec
- WaveReader viewing Software
- Single channel audio input and adjustable audio input/output
- Field upgradable
- Four alarm trigger inputs/two outputs
- Embedded system platform

BusSecure's programming menu provides up to four user-defined alarms or trigger inputs and two status outputs. Images marked with alarm data can be easily identified, retrieved and are protected from automatic overwriting.

Programming the BusSecure is easy. A standard Windows Internet Browser (such as Microsoft's Internet Explorer) is used to access the BusSecure's programming menus. The program data can then be uploaded to an entire fleet of vehicles.



Sample System Layout

BusSecure can record and store images from 1 to 4 cameras which can be mounted inside and outside the vehicle.



GE Interlogix

**Product
Specification**

Technical Specifications

Electrical

Input Voltage:	12 VDC
Power:	40 W (without cameras)
Video Inputs:	4 BNC connectors, PAL/NTSC compatible
Triggers:	4 N/C inputs
Network:	Ethernet 10/100

Hardware

Drive Size:	Contact Manufacturer
Dimensions:	4 x 7 x 10 inches (excluding brackets)
Weight:	9 lb
Temperature:	Operates between 0 and 40 °C
Image Resolution:	720 x 243 pixels
Display Resolution:	720 x 486 pixels
Pictures Per Second:	1 to 30 pps, programmable
Compression:	Wavelet

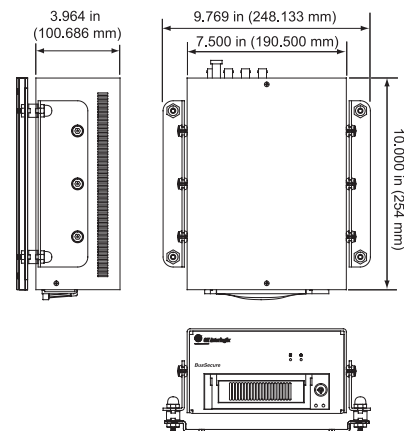
Audio

Record Standard:	Single channel, G.711 (64 kilobits/sec)
Audio In:	Differential line level

Playback Station (Recommended PC/ Laptop)

Processor:	Intel Pentium 1 GHz or better
Memory:	128 MB RAM minimum
Hard Drive:	30.0 GB internal
Network:	Network card - LAN
Monitor:	SVGA and 16-MB SVGA video card
CD-ROM Burner:	24X
OS:	Windows 2000 or XP
Software:	WaveReader Software

Dimensions



BusSecure Playback

Images can be viewed with WaveReader Software and an Ethernet port connection between the BusSecure and a PC or laptop.

WaveReader Software features a synchronized four-window image browser with playback speed control. The images can be viewed, enhanced, sharpened, or enlarged. In addition, images can be printed or copied to the laptop/PC in various time segments.

The data is also portable. WaveReader offers both e-mailing and exporting features. The system facilitates transferring images to alternative media for long-term storage.



GE Interlogix

MAILING ADDRESS
4575 Research Way, STE 250
Corvallis, OR 97333 USA
www.GE-Interlogix.com

AMERICAS
800-469-1676 (US only)
tel 541-754-9133
fax 541-754-7162

ASIA
tel 852-2907-8108
fax 852-2142-5063

AUSTRALIA
tel 61-3-9259-4700
fax 61-3-9259-4799

EUROPE
tel 32-2-725-11-20
fax 32-2-721-86-13

LATIN AMERICA
tel 561-912-5321
fax 561-994-6224