



The Brute is a heavy-duty ruggedized camera that withstands harsh environments.

The Brute® features a heavy-duty die-cast case, clear Lexan® window, and tamper-resistant screws—making it weatherproof and vandal resistant. The Brute can be used in temperatures ranging from -20° to 140° F. You can mount it on a wall or corner (wall/corner mount included).

The Brute's camera can be adjusted inside its housing, and when the wall/corner mount is used, the housing is adjustable as well—so you can easily change viewing areas as desired.

The Brute's black-and-white camera delivers a resolution of 425 TV lines and light sensitivity of 0.1 lux. The color camera delivers a resolution of 380 TV lines and light sensitivity of 1 lux.

The camera features a high-speed electronic shutter that compensates for changing lighting conditions, from bright sunlight to dim outdoor lighting. It also features a backlight compensation circuit that prevents foreground objects from becoming silhouetted against bright backgrounds. It includes a plug-in power supply and easy-connect leads for simple installation.

Features

- Heavy-duty die-cast aluminum case
- Lexan® window
- Weatherproof and tamper resistant
- Camera position is adjustable within housing
- Entire housing is adjustable on wall/corner mount (included)
- Mounts on wall (surface or flush mount) or corner
- Color or black-and-white camera
- 2.5, 4, 6, 8, or 12 mm lens

Part Numbers

GBC - TK - □ 50 - □ □														
	<table style="width: 100%; border-collapse: collapse;"> <tr> <th style="text-align: left;">Camera Type</th> <th style="text-align: left;">Lens</th> </tr> <tr> <td>4 Black and White</td> <td>2.5 2.5 mm</td> </tr> <tr> <td>9 Color</td> <td>4 4 mm</td> </tr> <tr> <td></td> <td>6 6 mm</td> </tr> <tr> <td></td> <td>8 8 mm</td> </tr> <tr> <td></td> <td>12 12 mm</td> </tr> </table>	Camera Type	Lens	4 Black and White	2.5 2.5 mm	9 Color	4 4 mm		6 6 mm		8 8 mm		12 12 mm	
Camera Type	Lens													
4 Black and White	2.5 2.5 mm													
9 Color	4 4 mm													
	6 6 mm													
	8 8 mm													
	12 12 mm													
All cameras include power supply														

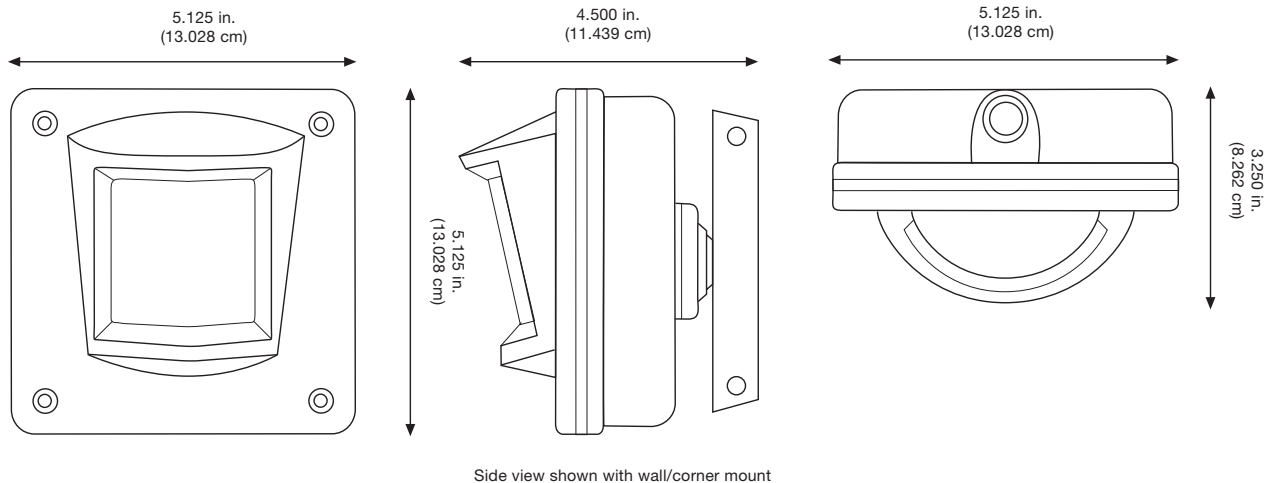
Technical Specifications

Black-and-White Camera

Image sensor	1/3-in. interline transfer CCD
Scanning system	2:1 interlace—525 lines, 60 fields (EIA); optional 625 lines, 50 fields (CCIR)
Effective picture elements	512 (H) x 492 (V)
Resolution	425 TVL
Sensitivity (Minimum illumination)	0.1 lux @ f1.2 0.01 lux (faceplate)
Signal-to-noise ratio	48 dB (AGC off)
AGC	Max 30 dB
Backlight compensation	On (under AES), center weighted
Synchronization	Internal
Gamma compensation	0.45
Video output	1.0 V pk-pk 75 ohm unbalanced
Electronic shutter	AES 1/60–1/100,000 sec.
Power supply	12 VDC
Power consumption	95 mA 1.14 w
Operating temperature	0° to 140° F (-18° to 60° C)

Color Camera

Image sensor	1/3-in. interline transfer CCD
Scanning system	2:1 interlace—525 lines, 60 fields (NTSC); optional 625 lines, 50 fields (PAL)
Effective picture elements	512 (H) x 492 (V)
Resolution	380 TVL
Sensitivity (Minimum illumination)	1 lux @ f1.2 0.1 lux (faceplate)
Signal-to-noise ratio	48 dB (AGC off)
AGC	Max 30 dB
Backlight compensation	On (under AES), center weighted
Synchronization	Internal
Gamma compensation	0.45
Video output	1.0 V pk-pk 75 ohm unbalanced
Electronic shutter	AES 1/60–1/100,000 sec.
White balance	Auto white balance 2,500° to 11,000° K
Power supply	12 VDC
Power consumption	120 mA 1.45 w
Operating temperature	0° to 140° F (-18° to 60° C)



Mailing Address

PMB 225, P.O. Box 3004
Corvallis, OR, USA 97339
www.kalatel.com

Americas

toll free 800-469-1676
tel 541-754-9133
fax 541-754-7162

Asia

tel 852-2907-8108
fax 852-2142-5063

Australia

tel 61-3-9259-4700
fax 61-3-9259-4799